

PRODUCT NUMBER
95228-YXXLF

PLATING

WHEN REQUIRED, ADD SUFFIX LETTER "LF"
INDICATES THE PRODUCT IS RoHS
COMPATIBLE, SEE NOTE 7

3=0.76µm GOLD/GXT ON CONTACT AREA
3.81µm TIN-LEAD ON TAIL

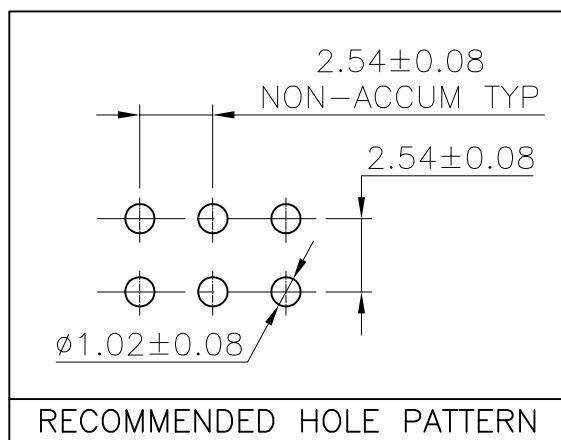
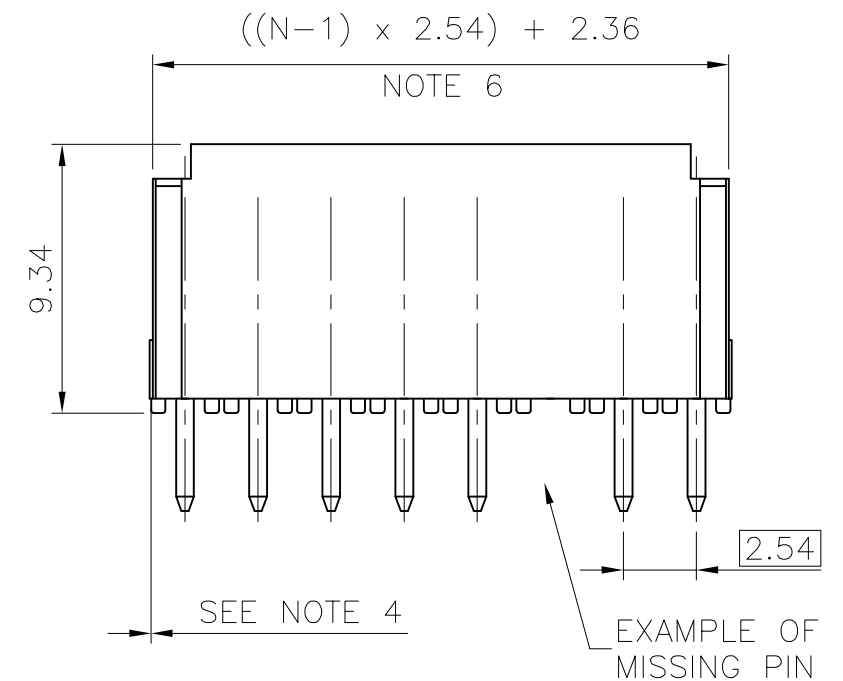
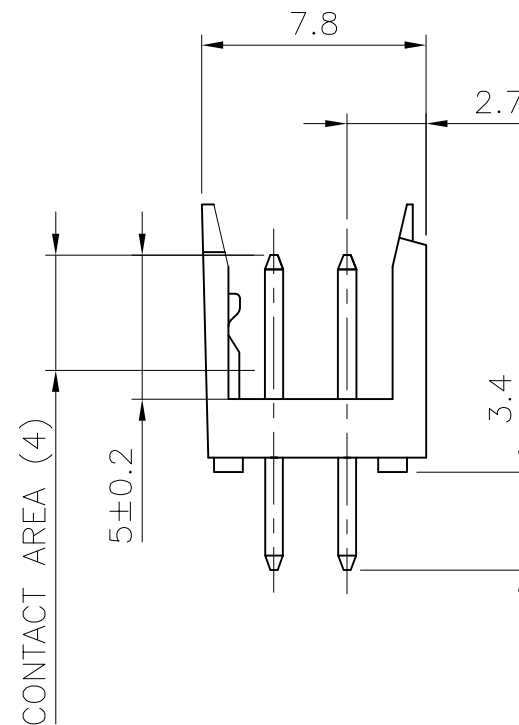
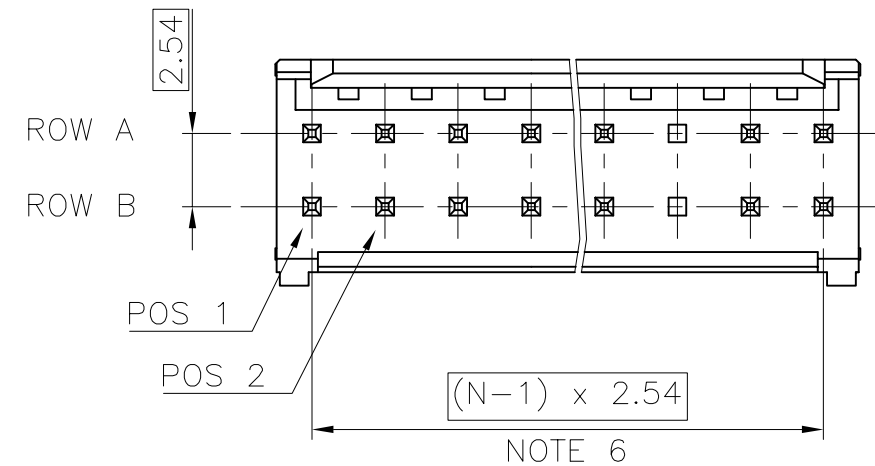
WHEN "LF" IS REQUIRED, 2µm MIN
MATTE TIN OVER 1.27µm MIN NICKEL
IS PROVIDED INSTEAD OF TIN-LEAD

STYLE	SIZE	OMIT PIN POSITION
01	2x17	A5;A6;A7;A9;A10;A12;A13;A15;A16 B5;B6;B7;B9;B10;B12;B13;B15;B16

NOTES:

- BODY MATERIAL: POLYESTER 30% GLASSFILLED COLOR BLUE, FLAME RETARDANT PER UL-94 V0.
- CONTACT MATERIAL: PHOSPHOR BRONZE.
- 22N MIN PIN RETENTION IN EITHER DIRECTION
- 0.6 MAX PROTRUSION PERMITTED AT 4 PLACES
- PACKAGING :
- POLYBAGS FROM 2 x 02 TO 2 x 06 POSITIONS
- TUBE FROM 2 x 07 TO 2 x 36 POSITIONS
- TO DETERMINE DIMENSIONS :
N = NUMBER OF POSITIONS PER ROW
EXAMPLE : 8 POS N x 2.54 = 20.32mm
- RoHS COMPATIBLE PRODUCT SPECIFICATIONS
 - PLATING:
- "LF" MEANS THE PRODUCT IS LEAD-FREE,
2µm MINIMUM MATTE TIN OVER 1.27µm
MINIMUM NICKEL UNDERPLATE.
 - MANUFACTURING PROCESS COMPATIBILITY
- THE HOUSING WILL WITHSTAND EXPOSURE TO
245°C ±5°C SOLDER BATH TEMPERATURE FOR
5 SECONDS IN A WAVE SOLDER APPLICATION
WITH A 1.6mm MIN THICK CIRCUIT BOARD.
 - LABELING:
- MEETS PACKAGING SPECS AS PER GS-14-920
 - LEGAL STATEMENT: SEE GS-22-008

TOP VIEW



mat'l. code SEE NOTES				surface ISO 1302 ✓		tolerance ISO 406 ISO 1101		projection mm		product family DUBOX HDR	
ltr	ecn no	dr	date	tolerances unless otherwise specified		.X ±0.3		mm		title DUBOX,DR,STR SELECTIVELY LOADED	
A	F50603	PNZ	95.08.18	angles		.XX ±0.15		scale 4:1		dwg no 95228	
B	F05-0117	LMU	05.01.31	linear		.XXX ±0.05		FCJ		sheet 1 of 1 size A3	
C	F05-0244	JCO	05-09.06							type CUSTOMER Drawing	
D	F06-0228	LMU	06.07.11	dr	P NIZZI	95.08.18					
E	F08-0147	YOV	08.04.14	enr	JM PHAMVAN	95.08.18					
				chr	P NIZZI	95.08.18					
				appd	JMP	95.08.18					

sheet index	revision sheet										
-------------	----------------	--	--	--	--	--	--	--	--	--	--